

0183 SMALL SIZE. GREAT PERFORMANCE.

Piston pressure switch max 250 V

With snap action microswitch and silver contacts

- 2.4" installation height
- Differential set at factory
- 1450 – 5800 psi adjustment range
- Overpressure safe to **8700** psi¹⁾



RoHS COMPLIANT

0183 Technical Data

Voltage	up to max. 250 V		
Current	max. 4 A		
Degree of protection	IP65 plugs IP00		
Switching frequency	200/min.		
Temperature stability for seal materials	NBR	-22 °F – +212 °F	(-30 °C – +100 °C)
	EPDM	-22 °F – +248 °F	(-30 °C – +120 °C)
	FKM	23 °F – +248 °F	(-5 °C – +120 °C)
Differential	10 – 30% adjustable at factory		
Mechanical life expectancy	10 ⁶ cycles		
Body material	zinc plated steel (Fe//ZnNi(12)6//A/T2)		

0183 Piston pressure switch

Adjustment range in psi	Tolerance in psi (at room temperature)	Thread	Order number	p _{max.} in psi
1450 – 4350	± 145.0	M 14 x 1.5	0183 462 10 051	8700 ¹⁾
2900 – 5800			0183 463 10 061	

Order number
Add figure for seal material

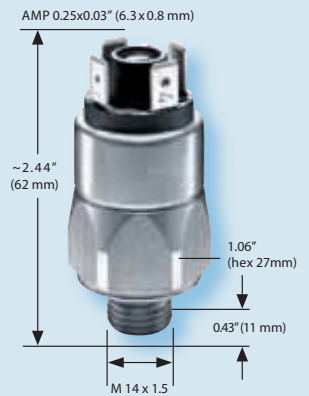
0183 XXX 10 X XXX

NBR (BunaN)	Hydraulic/machine oil, turpentine, heating oil, air etc.	=	1
EPDM	Acetylene, ozone, brake fluid etc.	=	2
FKM	Hydraulic fluids (HFA, HFB, HFC, HFD), petrol/gasoline etc.	=	3

0183 Accessories

Adapter from M 14 x 1.5 to 1/4" BSPP	Adapter from M14 x 1.5 to M 12 x 1.5
Order number: 1-1-83-420-006	Order number: 1-1-83-420-007

Thread to ISO 6149-3
(included O-ring to match seal material)



- Also available with switching point preset in our factory.
- Ready-wired variants on request.
- Other body materials and connection threads on request!



Accessories: see page 33

